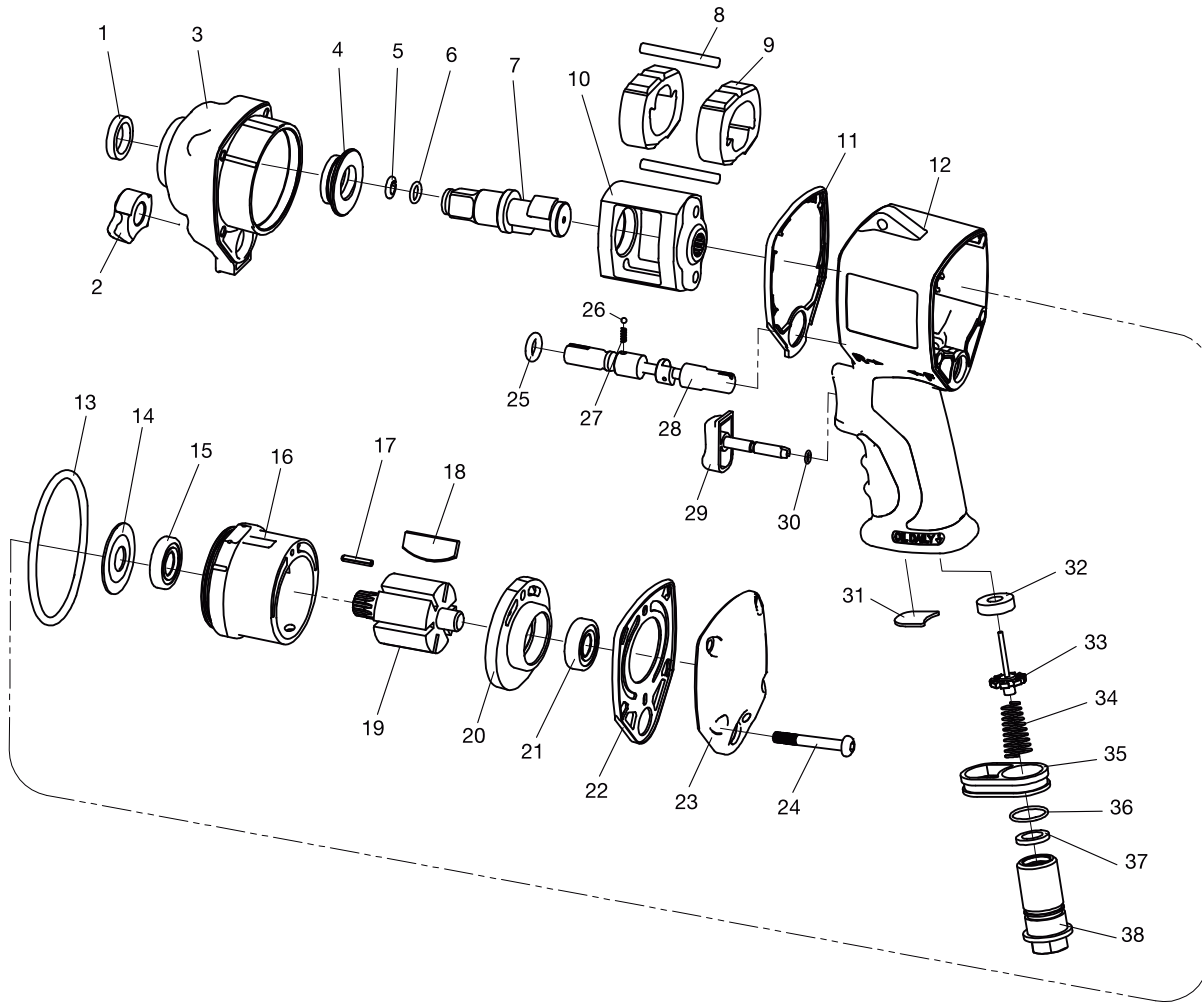


1/2" Stubby air impact wrench

K 9827



KR 9827-1 Engine repair kit: Pos 11, 13, 18, 22, 25, 30

KR 9827-2 Gearing repair kit: Pos 5, 6, 7, 8, 9

KR 9827-4 Ait inlet kit: Pos 32, 33, 34, 35, 36, 37, 38

KR 9827-8 Bearing kit: Pos 15, 21

Pos.	Parts No.	Description
1		Oil seal
2		Regulator knob
3		Hammer case
4		Bushing
5	KR 9827-2	Anvil collar
6	KR 9827-2	O-ring
7	KR 9827-2	Anvil (1/2" DR)
8	KR 9827-2	Hammer pin (2 pcs.)
9	KR 9827-2	Hammer dog (2 pcs.)
10		Hammer cage
11	KR 9827-1	Front gasket
12		Motor housing
13	KR 9827-1	O-ring
14		Washer
15	KR 9827-8	Ball bearing
16		Cylinder
17		Spring pin
18	KR 9827-1	Rotor blade (6 pcs.)
19		Rotor

Pos.	Parts No.	Description
20		Rear plate
21	KR 9827-8	Ball bearing
22	KR 9827-1	Rear gasket
23		Rear cover
24		Screw (4 pcs.)
25	KR 9827-1	O-ring
26		Steel ball
27		Spring
28		Reverse valve
29		Trigger
30	KR 9827-1	O-ring
31		Muffler
32	KR 9827-4	Retainer
33	KR 9827-4	Valve stem
34	KR 9827-4	Spring
35	KR 9827-4	Exhaust deflector
36	KR 9827-4	O-ring
37	KR 9827-4	Washer
38	KR 9827-4	Hose adaptor